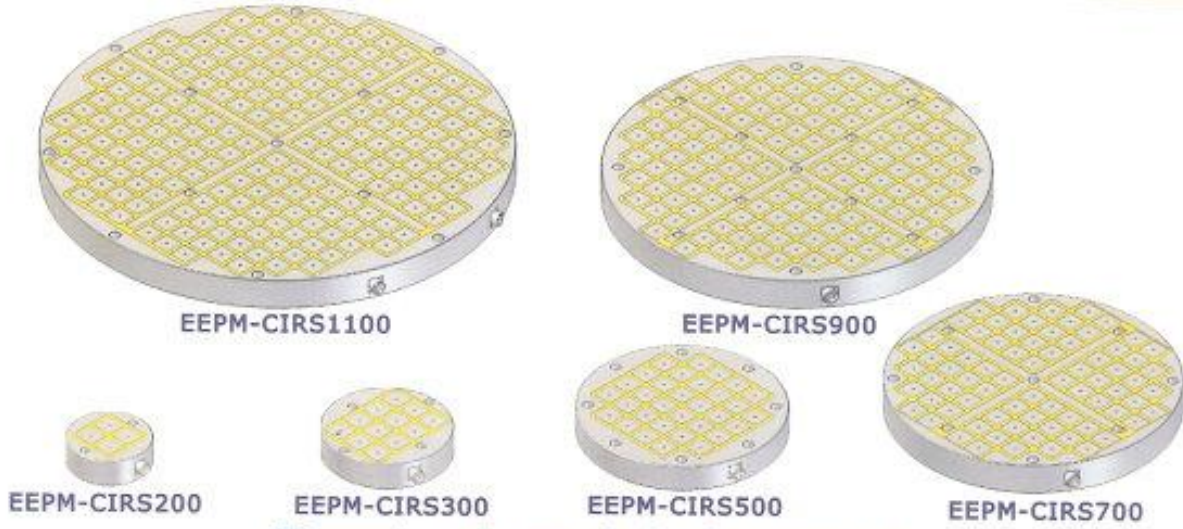
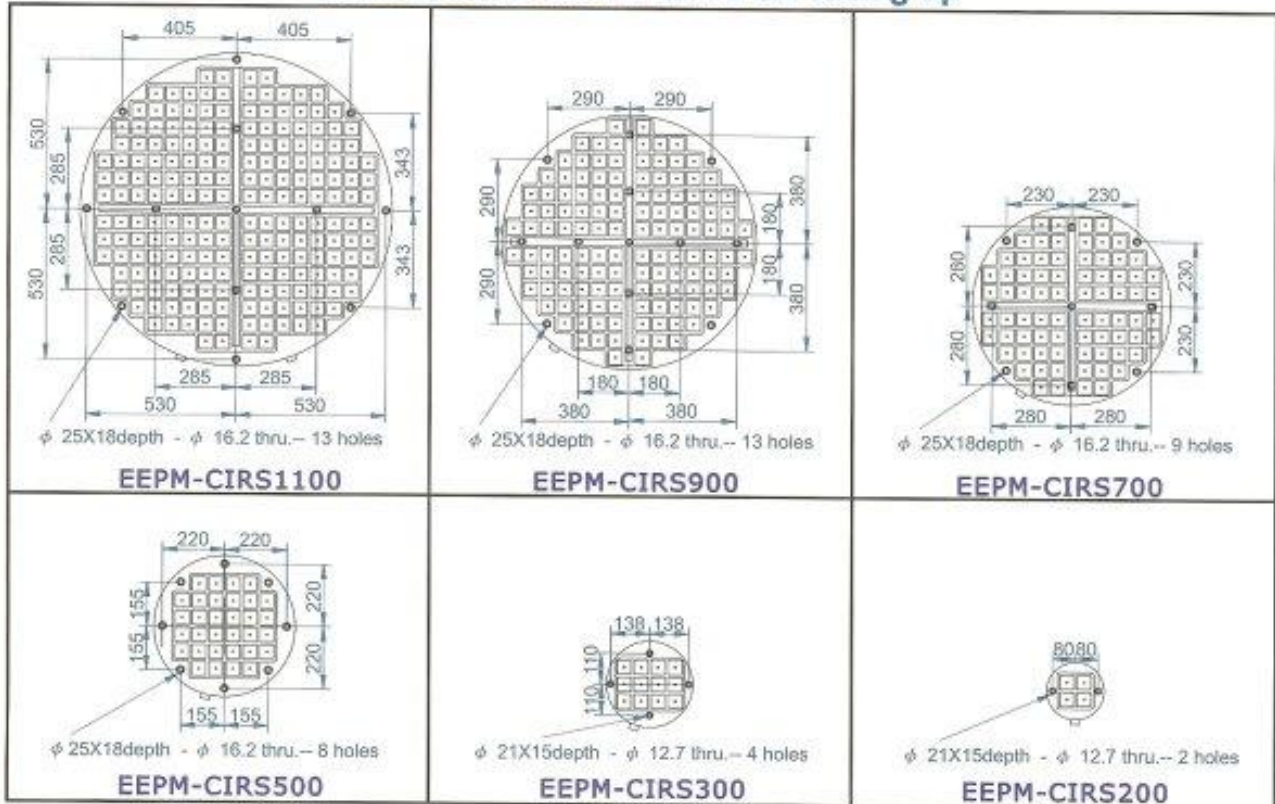


Suitable in use for combine with Rotary type Surface Grinding Machine · CNC 5 Axis Machining Center...etc.



Dimension of screw holes for setting up



Unit:mm

MODEL NO.	DIMENSION		PITCH	POLE	NO.OF POLE	N/W	VOLTAGE	CURRENT AMP	CONTROLLER (included)	VOLTAGE	CURRENT AMP	CONTROLLER (included)
	DIAMETER	HEIGHT										
EEPM-CIRS200	ϕ 203	70	10	50x50	4	16kg	AC 220V	16A	C1	AC 380V 440V	18A	C1
EEPM-CIRS300	ϕ 305	70			12	35kg		18A	C1		6A	C1
EEPM-CIRS500	ϕ 500	70			32	97kg		31A	C1		14A	C1
EEPM-CIRS700	ϕ 700	80			76	218kg		16A	C4		12A	C2
EEPM-CIRS900	ϕ 900	80			144	362kg		38A	C4		13A	C4
EEPM-CIRS1100	ϕ 1106	80			204	540kg		24A	C8-2C4		10A	C8-2C4

Custom-made is available.

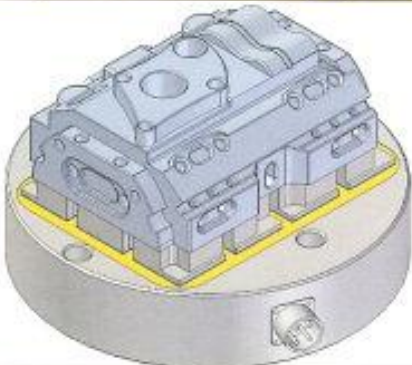

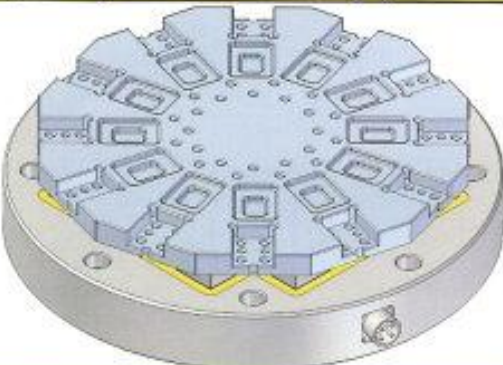
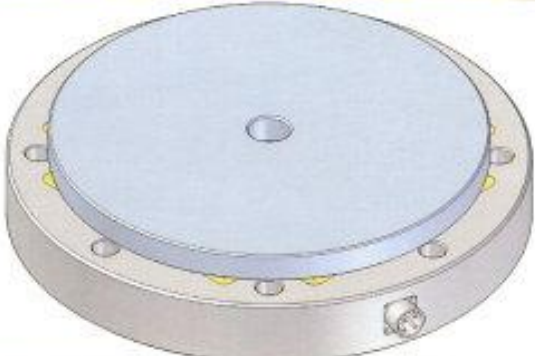
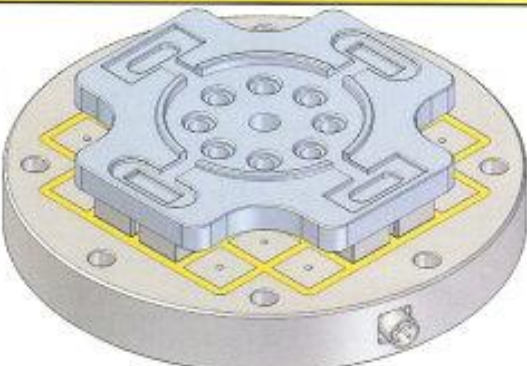
Features:

1. Super power magnetic force 1000 kgf/100cm. (4 poles)
2. 3-15 seconds control for power ON & OFF. No electric power supply required to keep the magnetic chuck ON, cable can be taken off for turning freely while machining or grinding.
3. Can do 5 side machining, un-obstructed movement of cutters during machining. One cycle to finish a workpiece, helps in achieving best machining accuracy and increases efficiency a lot.

Applications:

1. Suitable in use for combine with Rotary type Surface Grinding machine, CNC 5 Axis Machining Center...etc.
2. Minimum thickness of workpiece required : 10 mm
3. Minimum size of workpiece required as 4 alternate magnetic square poles and above contacts is necessary for optimum clamping.
4. More functions for cooperate with Induction Block and Spring Block. (See the detail of Option Accessories)

Working Example

<p>Multi-form workpiece for 5 side machining by induction block.</p> 	<p>Multi-round type workpiece for precision grinding.</p> 
<p>Multi-angle workpiece for 5 side machining by induction block.</p> 	<p>Round type workpiece for precision grinding.</p> 
<p>Irregular form workpiece for 5 side machining by induction block.</p> 	<p>Square workpiece for precision grinding.</p> 