

TOOL HOLDER EXTENSION FOR MICROMETRIC TOOL HOLDER (WS3)

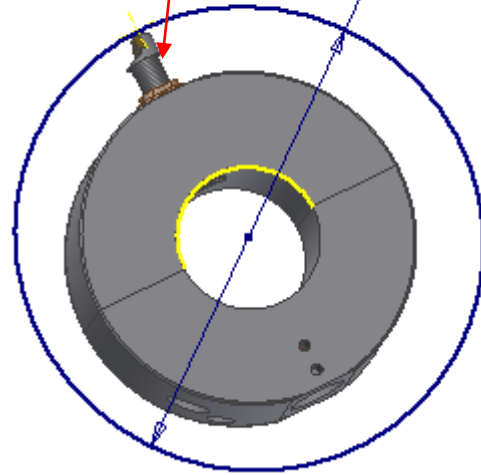
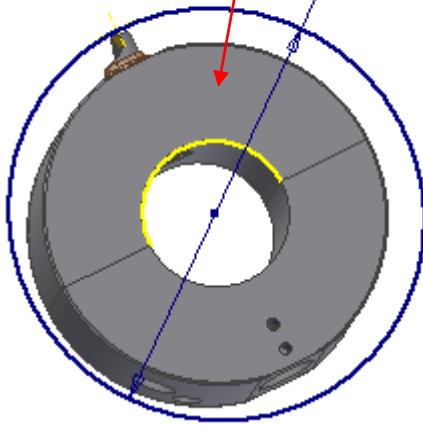
140

(1a) TOOL HOLDER EXTENSION \varnothing 140 mm

(1b) MICROMETRIC TOOL HOLDER

d min = 170mm

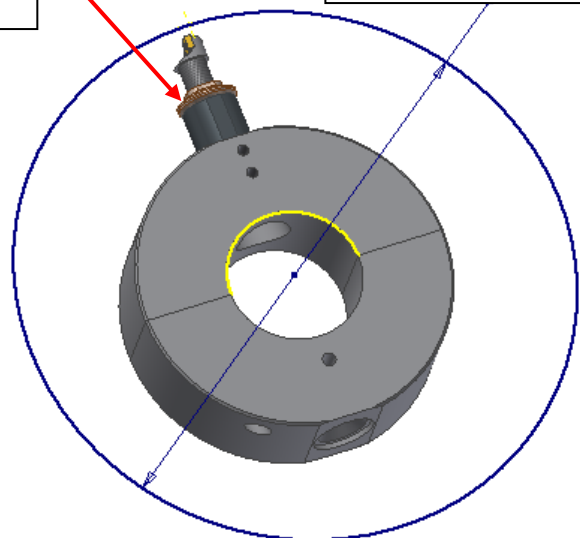
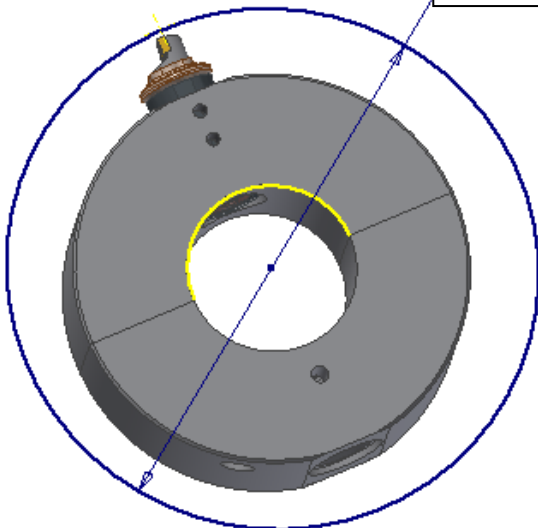
D max = 190mm



(1c) CYLINDRICAL TOOL HOLDER EXTENSION LENGTH 45 MM FOR MICROMETRIC TOOL HOLDER

d min = 188mm

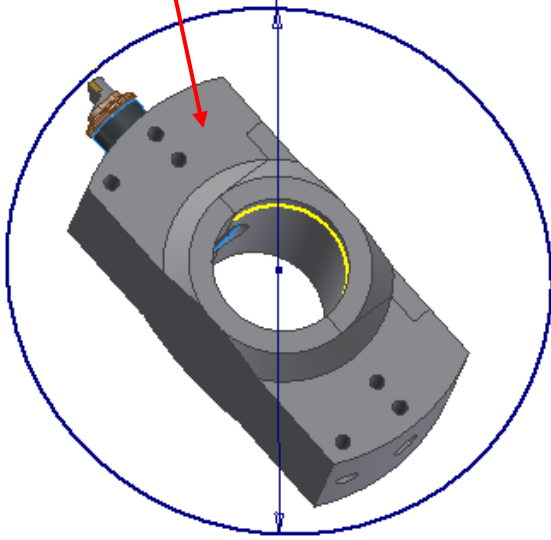
D max = 248mm



180

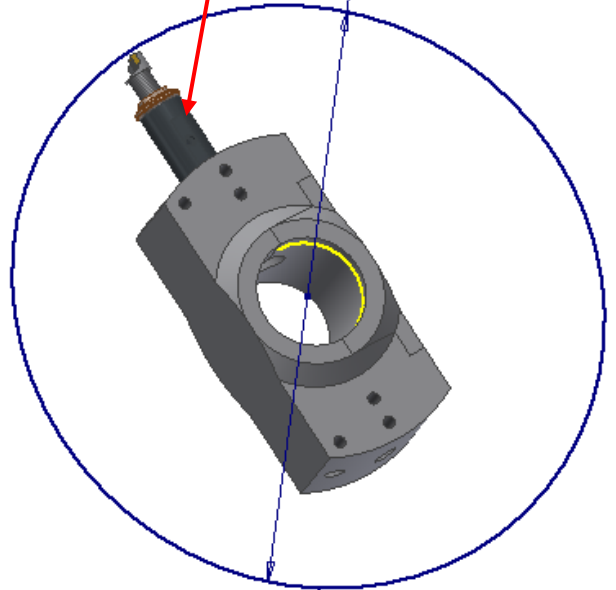
(3a) TOOL HOLDER EXTENSION \varnothing 180 mm

d min = 238mm



(3b) CYLINDRICAL TOOL HOLDER EXTENSION \varnothing 25
LENGTH 70 MM FOR MICROMETRIC TOOL HOLDER

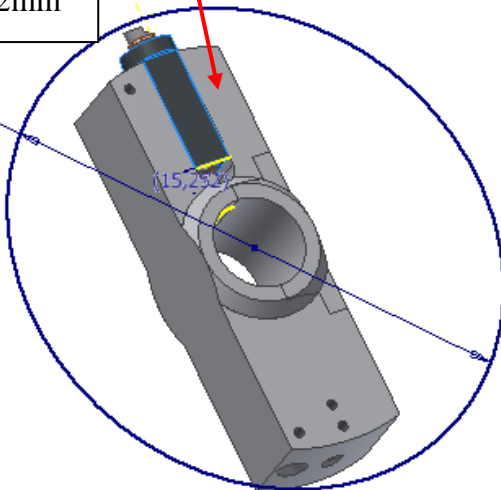
D max = 323mm



270

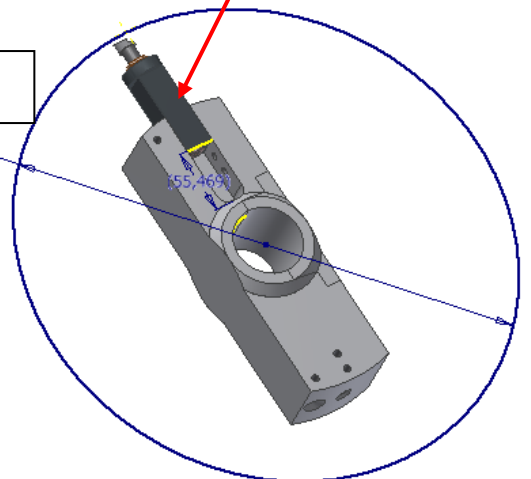
(4a) TOOL HOLDER EXTENSION \varnothing 270 mm

d min = 322mm



(4b) SQUARE TOOL HOLDER EXTENSION 25X25
LENGTH 85MM FOR MICROMETRIC TOOL HOLDER

D max = 425mm

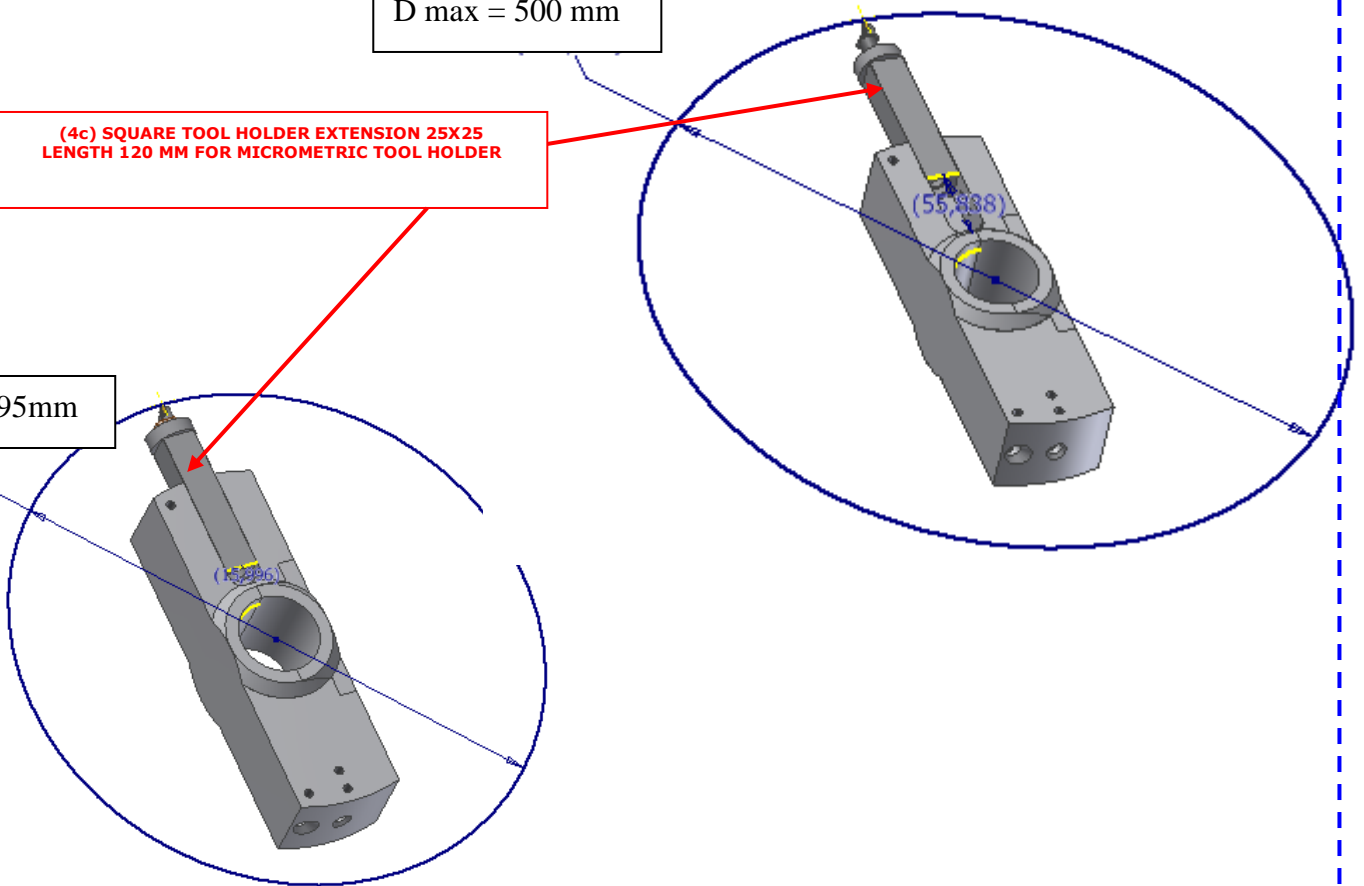


270

(4c) SQUARE TOOL HOLDER EXTENSION 25X25
LENGTH 120 MM FOR MICROMETRIC TOOL HOLDER

D max = 500 mm

d min = 395mm



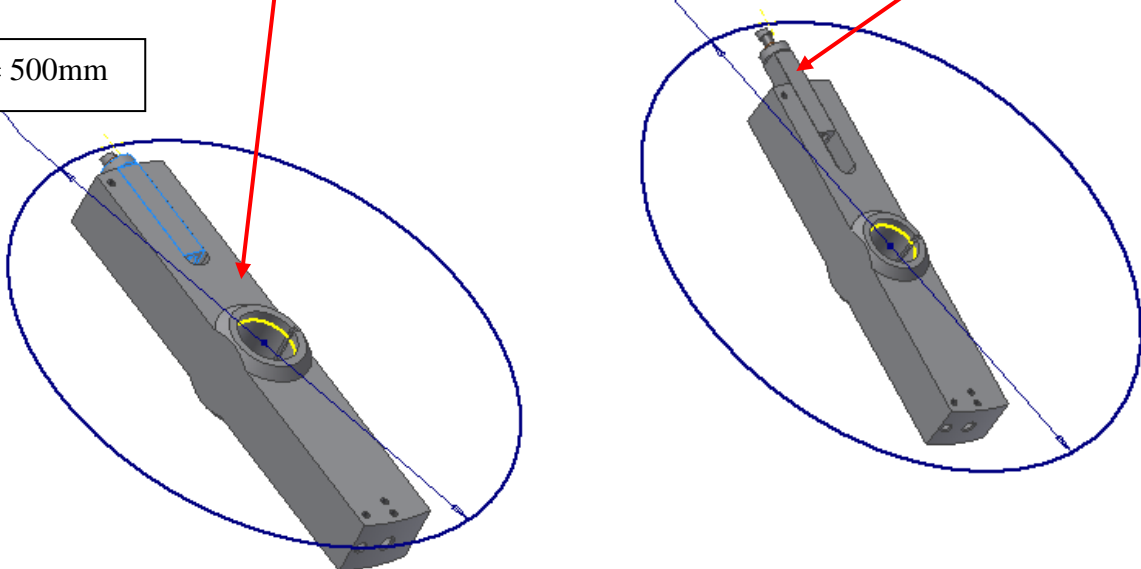
450

(5a) TOOL HOLDER EXTENSION Ø 450 mm

(5b) SQUARE TOOL HOLDER EXTENSION 25X25
LENGTH 120 MM FOR MICROMETRIC TOOL HOLDER

D max = 610mm

d min = 500mm



Riepilogo Kit prolunge portautensili per portautensile di precisione:

N. 1 Prolunga portautensile D140
N. 1 Prolunga ausiliaria (tondo) d.25 L=45 mm

N. 1 Prolunga portautensile D180
N. 1 Prolunga ausiliaria (tondo) d.25 L=70 mm

N. 1 Prolunga portautensile D270
N. 1 Prolunga ausiliaria 25x25 L=85 mm
N. 1 Prolunga ausiliaria 25x25 L=120 mm

N. 1 Prolunga portautensile D450

