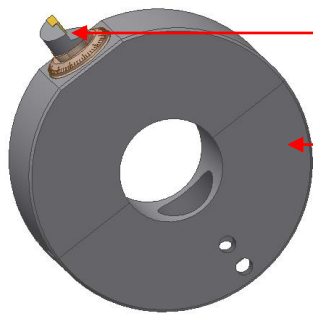


## TOOL HOLDER EXTENSION FOR MICROMETRIC TOOL HOLDER (WS2)

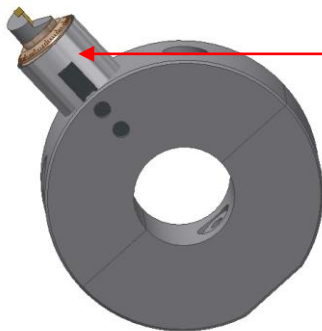


(1a) Micrometric tool holder

+

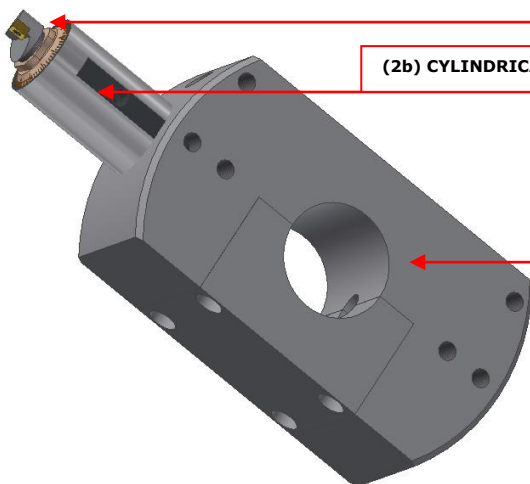
(1b) TOOL HOLDER EXTENSION Ø 110 mm

WORKING RANGE Ø 137 MM – Ø 160 MM



(1c) CYLINDRICAL TOOL HOLDER EXTENSION Ø 25 mm Length 32 mm

WORKING RANGE Ø 160 MM – Ø 185 MM



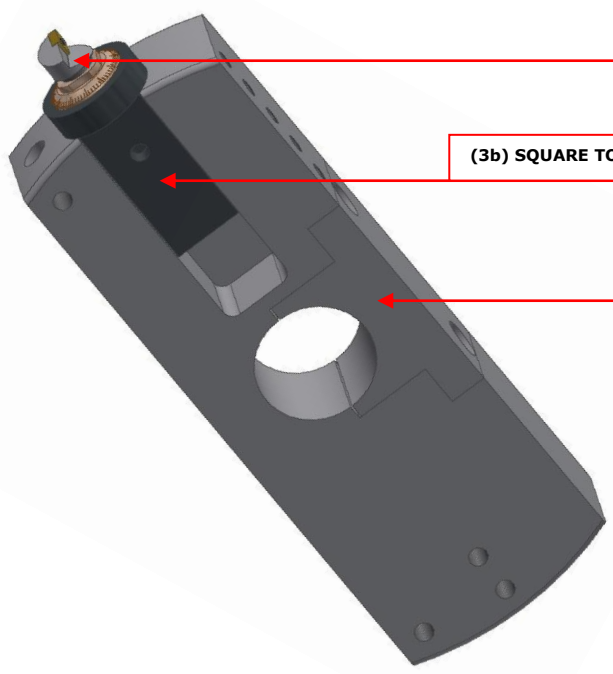
(2a) Micrometric tool holder

(2b) CYLINDRICAL TOOL HOLDER EXTENSION Ø 25 mm Length 55 mm for micrometric tool holder

+

(2c) TOOL HOLDER EXTENSION Ø 150 mm

WORKING RANGE Ø 185 MM – Ø 270 MM

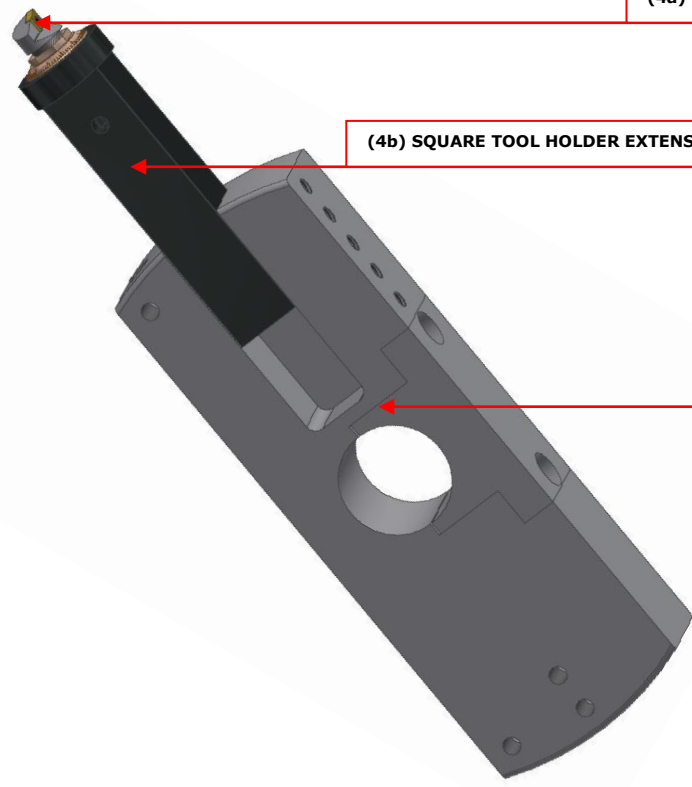


(3a) Micrometric tool holder

(3b) SQUARE TOOL HOLDER EXTENSION 25x25 Length 70 mm for micrometric tool holder

(3c) TOOL HOLDER EXTENSION Ø 230 mm

WORKING RANGE Ø 270 MM – Ø 360 MM



(4a) Micrometric tool holder

(4b) SQUARE TOOL HOLDER EXTENSION 25 x 25 Length 90 mm for micrometric tool holder

(4c) TOOL HOLDER EXTENSION Ø 230 mm

WORKING RANGE Ø 360 MM – Ø 400 MM

